

Magnetic Grippers

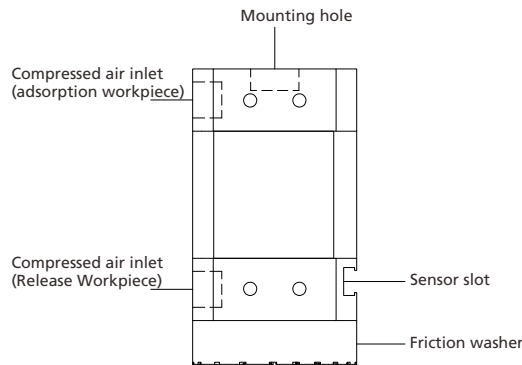
Magnetic Grippers MGM

Suction area: (ϕ) 20mm to 70mm

Magnetic Grippers MGM



System design Magnetic Grippers MGM



Introduction and application

- ◆ Magnetic gripper for handling of perforated metal sheets, laser cutting parts with complex geometry
- ◆ Handling of ferromagnetic workpieces

Design

- ◆ Strong aluminum shell with permanent magnet parts inside
- ◆ Clip-on, easy to replace friction ring
- ◆ Standard connection threads in top cover
- ◆ Sensor detection can be installed

Ordering Guide And Ordering Data Magnetic Grippers MGM

Type	Diameter[mm]	Connection thread	Ordering Data
MGM 20 G1/8-IG	20	G1/8-IG(IG=internal thread)	90.03.01.00102
MGM 30 G1/8-IG	30	G1/8-IG	90.03.01.00013
MGM 40 G1/4-IG	40	G1/4-IG	90.03.01.00014
MGM 50 G1/4-IG	50	G1/4-IG	90.03.01.00015
MGM 70 G1/4-IG	70	G1/4-IG	90.03.01.00016

Technical Data Magnetic Grippers MGM

Type	Suction force [N]	Remaining force [N]	Operating pressure [bar]	Control pressure range [bar]	Operating temperature	Weight [g]
MGM 20 G1/8-IG	28	0.3	3.5...6	-0.6	5...70	81
MGM 30 G1/8-IG	35	0.3	3.5...6	-0.6	5...70	130
MGM 40 G1/4-IG	100	0.3	3.5...6	-0.6	5...70	240
MGM 50 G1/4-IG	180	0.3	3.5...6	-0.6	5...70	440
MGM 70 G1/4-IG	290	0.3	3.5...6	-0.6	5...70	715

Magnetic Grippers

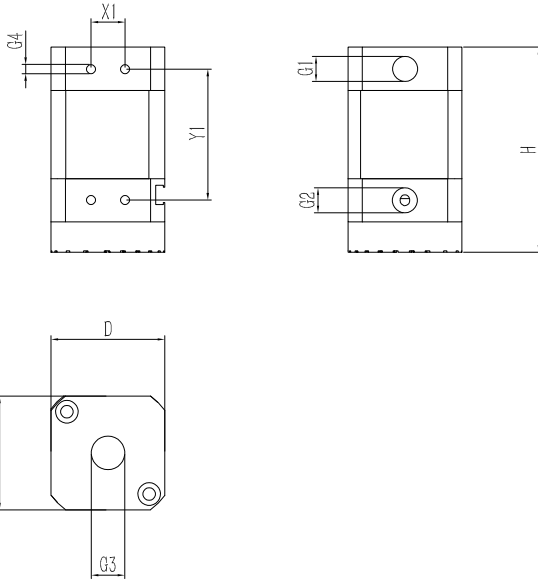
Magnetic Grippers MGM

Suction area: (ϕ) 20mm to 70mm



Design Data Magnetic Grippers MGM

MGM 20 to 70



Type	Dimensions[mm]									
	B	D	H	X1	Y1	G1	G2	G3	G4	
MGM 20 G1/8-IG	20	20	72.1	6.5	46	G1/8	G1/8	M5	M3	
MGM 30 G1/8-IG	30	30	72.1	12	46	G1/8	G1/8	G1/8	M4	
MGM 40 G1/4-IG	40	40	72.1	12	46	G1/8	G1/8	G1/4	M4	
MGM 50 G1/4-IG	50	50	82.1	15	58	G1/8	G1/8	G1/4	M5	
MGM 70 G1/4-IG	70	70	82.1	15	58	G1/8	G1/8	G1/4	M5	